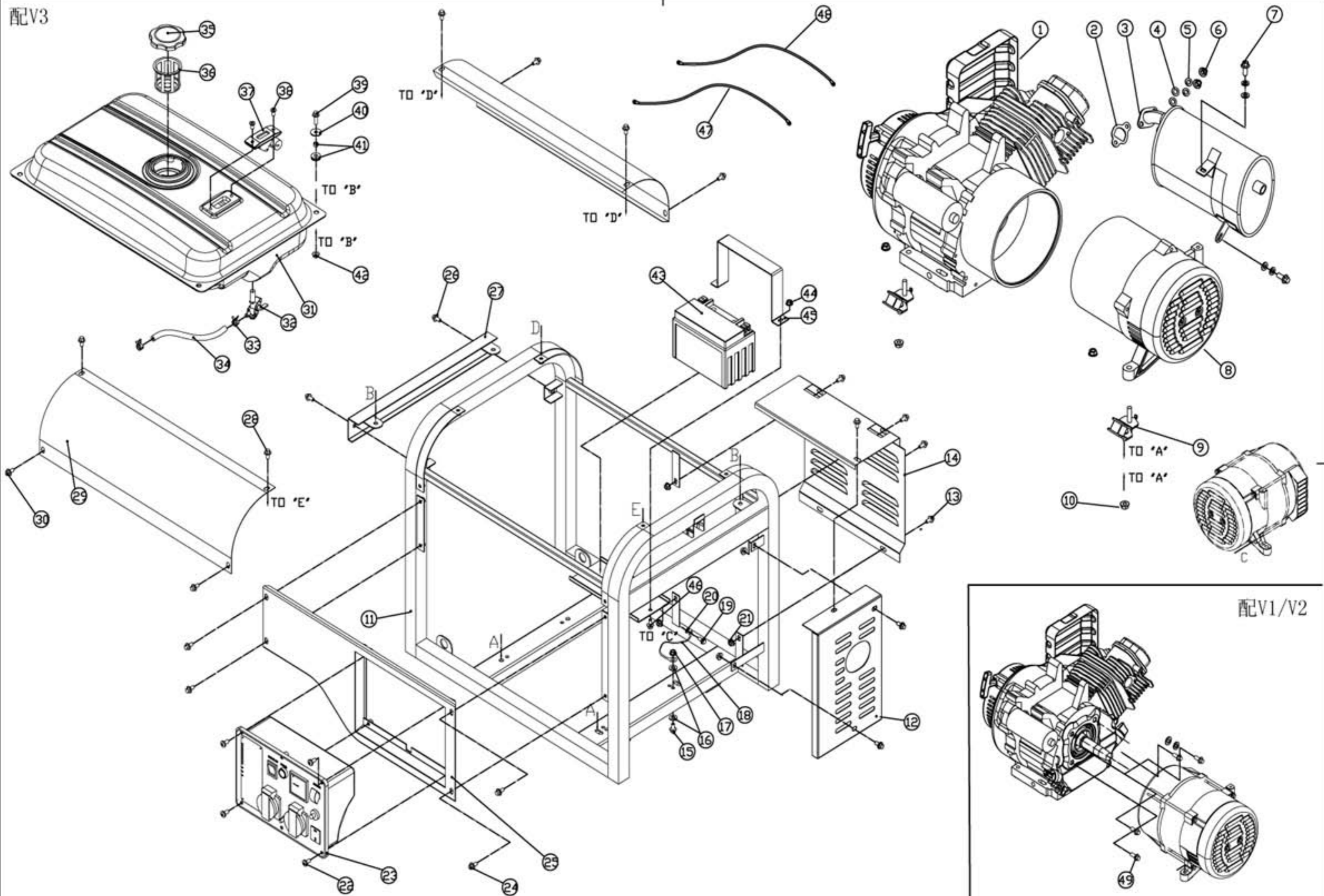
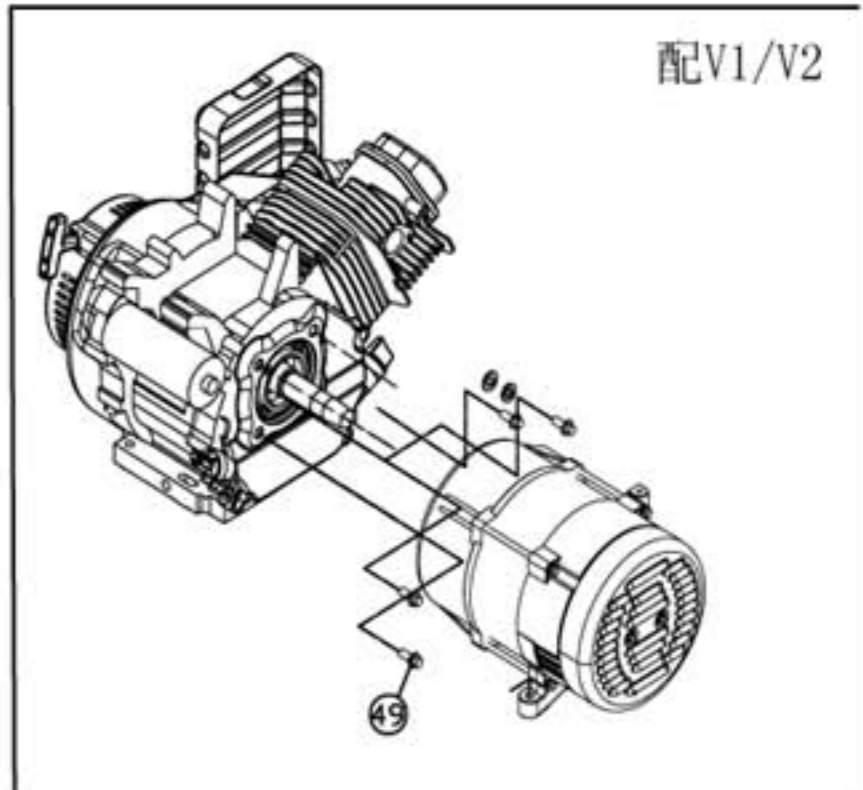


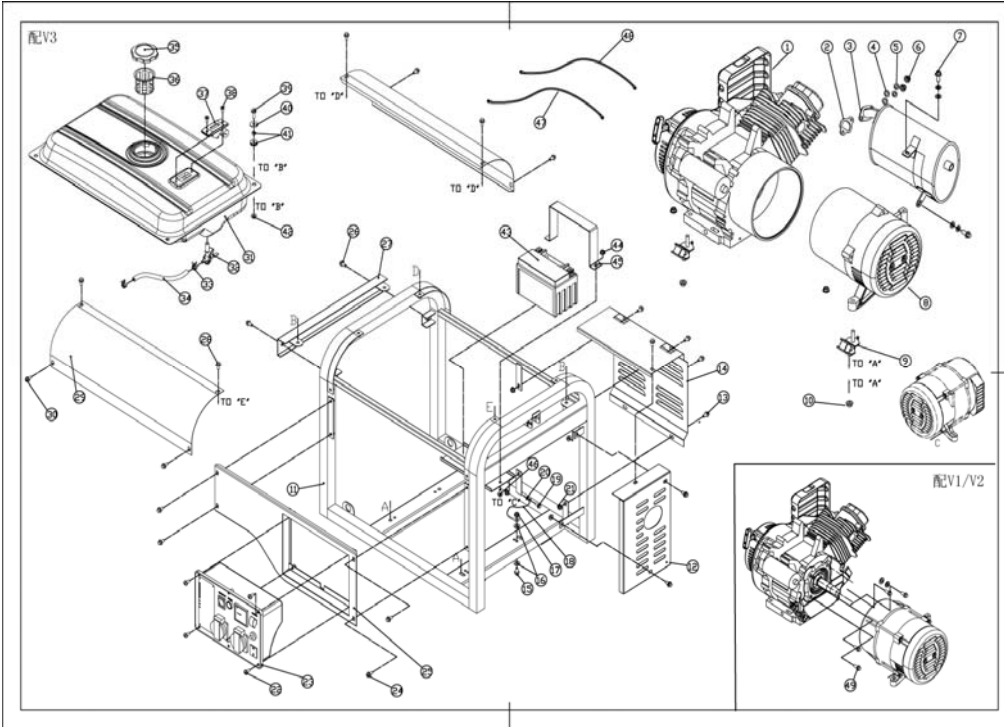
配V3



配V1/V2



GG4800E+B

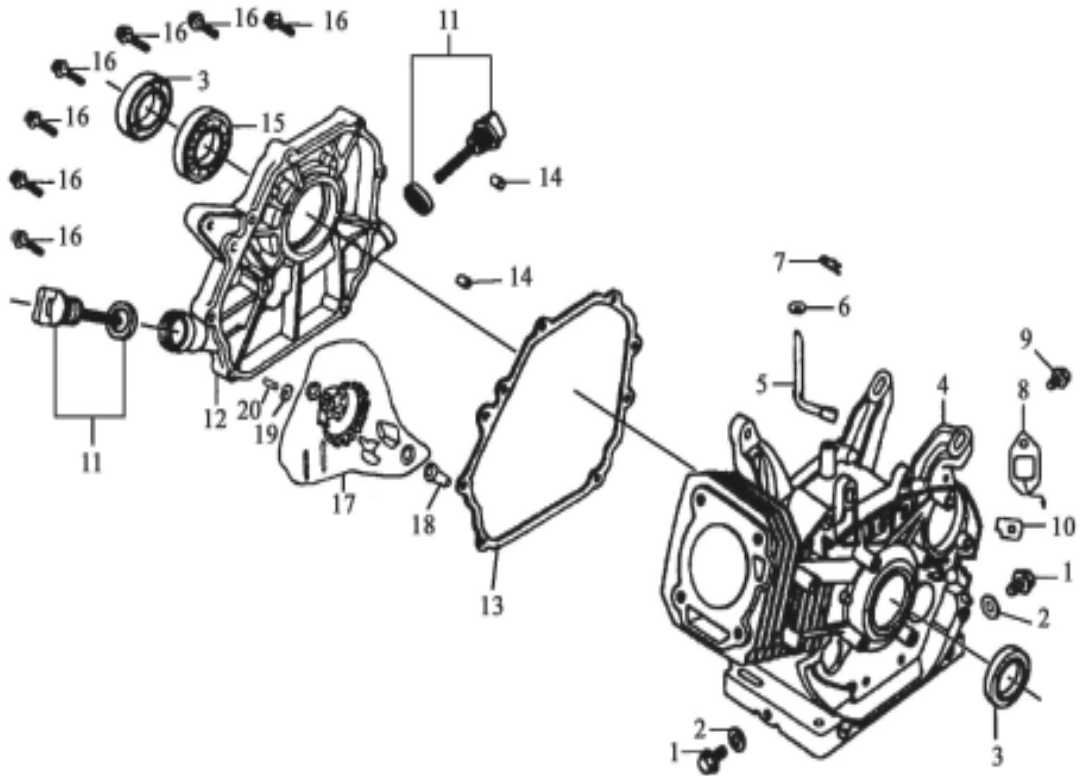


	CODE	DESCRIPTION	DESCRIPTION	QTY.	REMARK
1	2EP2704101		UP177Egasoline engine	1	
	2EP2704301				
	2EP2704501				
	2EP2704601				
2	3A3005006		Muffler washer	1	
3	3C2145201		muffler	1	
	3C2145301				
4	3S35081		washer Φ8	8	
5	3S31082		spring washer Φ8	8	
6	3S12081		Nut M8	2	
7	3S22080201		flange bolt M8*20	2	
8	3VDJ032(虚拟 编码)		alternator assem Φ190*120	1	
9	3C3102		shock absorber	2	
10	3S12081		Nut M8	8	
11	3JGG48E		Frame	1	
12	3C23004		Muffler hood	1	
13	3S22060121		flange bolt M6*12	7	
14	3C23006		Muffler hood	1	
15	3S22060121		flange bolt M6*12	1	
16	3S39061		gasket	2	
17	3S12061		Nut M6	1	
18	3C5230001		Grounding wire	1	
19	3S22080121		flange bolt M8*12	1	
20	3S39083		Gasket M8	1	
21	3S12061		Nut M6	7	
22	3S27060122		screw M6*12	4	
23	3MGG48		control panel assem	1	
24	3S22060121		M6*12flange bolt	4	
25	3JGG48E		fixed board	1	
26	3S22060121		M6*12flange bolt	2	
27	3JGG48E		tank uderprop 2	1	
28	3S22060121		M6*12 flange bolt	4	
29	3JGG48E		the boarding of shelf	2	
30	3S22060121		M6*12 flange bolt	4	
31	3C1125		Fuel tank 25L	1	
32	3C13006		Fuel tank cock assem	1	
33	3A2006001		φ8 clamp	2	
34	3B0111007		φ8*20cm fuel pipe	1	
35	3C13003		fuel tank cup assem	1	
36	3C13010		filter cup	1	
37	3C13001		control panel	1	
38	3S28050122		M5*12 screw	2	
39	3S22060251		M6*25 flange bolt	4	
40	3S3606118		M6*φ18 plain washer	4	
41	3C13008		φ8 shock absorber	4	
42	3S13061		M6 flange nut	4	
43	3JGG29E0		9AH battery	1	
44	3IP01001		Fixation of power supply	1	
45	3S13061		M6 flange nut	2	
46	3S22060121		M6*12 flange bolt	2	
47	3C5220700				
48	3C51210700				

UP188(UP390)零部件配置表

1-

CRANKCASE ASSY

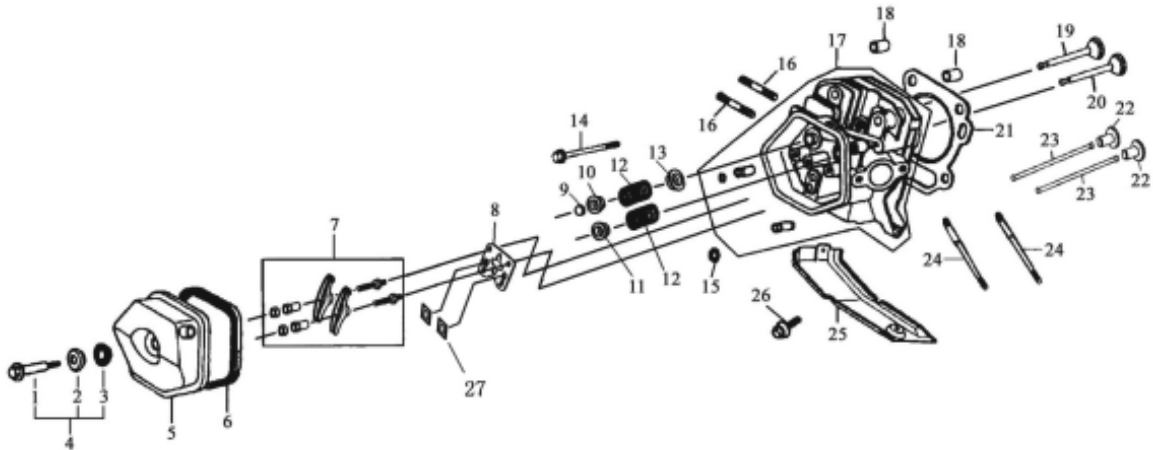


	CODE	DESCRIPTION	DESCRIPTION	QTY.	REMARK
1	3A3001001		Drain plug M12×14	2	
2	3A3001002		Washer	2	
3	3S61304608		Oil seal,crankshaft	2	
4	3A3101004		Crankcase	1	
5	3A3001005		Regulating sway bar	1	
6	3A3001006		Washer	1	Φ16×Φ8.5×1
7	3A3001007		Split pin	1	
8	3A2004008		Diode	1	
9	3S22060081		Bolt M6×8	1	
10	3A3001010		Seal	1	
11	3A3001200		Oil plug	2	
12	3A3001012		Crankcase cover	1	V1/V2
	3A3001012A				V3
13	3A3001013		Gasket,crankcase	1	
14	3S5108014		Set pinΦ8×14	2	
15	3S7106206		Bearing 6206	1	
16	3S22080351		Bolt M8×35	7	
17	3A3001100		Driven gear assy	1	
18	3A3001017		Sliding sleeve	1	
19	3A3001009		Snap ring	1	
20	3A3001008		Regulating shaft	1	

UP188(UP390)零部件配置表

2-

CYLINDER HEAD & CYLINDER HEAD COVER ASSY

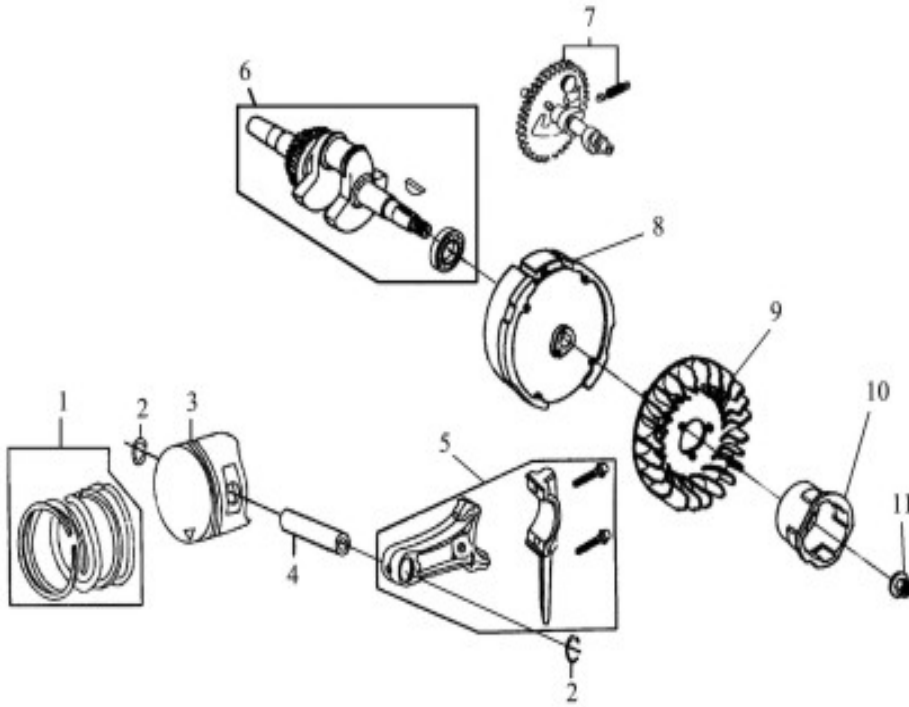


	CODE	DESCRIPTION	DESCRIPTION	QTY.	REMARK
1	3A3002001		Bolt	1	
2	3A3002002		Washer	1	
3	3A3002003		Rubber seal	1	
4	3A3002001		Bolt assy	1	
5	3A3002100		Cylinder head cover	1	
6	3A3002006		Gasket	1	
7	3A3002200		Valve rocket assy	1	
8	3A3002008		Push guide	1	
9	3A3002009		Cap	1	
10	3A3002010		Exhaust spring seat	1	
11	3A3002011		Intake spring seat	1	
12	3A3002012		Valve spring	2	
13	3A3002013		Spring retainer	1	
14	3S22100801		Bolt M10×80	4	
15	3A3002015		Seal	1	
16	3S25080552		Stud M8×55	2	
17	3A3002017		Cylinder head assy	1	
18	3S5112020		Pin 12×20	2	
19	3A3002019		Exhaust valve	1	
20	3A3002020		Intake valve	1	
21	3A3102018		Cylinder head gasket	1	
22	3A3002022		Tappet	2	
23	3A3002023		Pusher	2	
24	3S25681231		Stud AM6-8×123	2	
25	3A3002024		Lead wind cover	1	
26	3S22060121		Bolt M6×12	1	
27	3A2002027		Nylon, lining	2	

UP188(UP390)零部件配置表

3-

CRANKSHAFT, PISTON, CONNECTING, CAMSHAFT
ASSY & FLYWHEEL ASSY

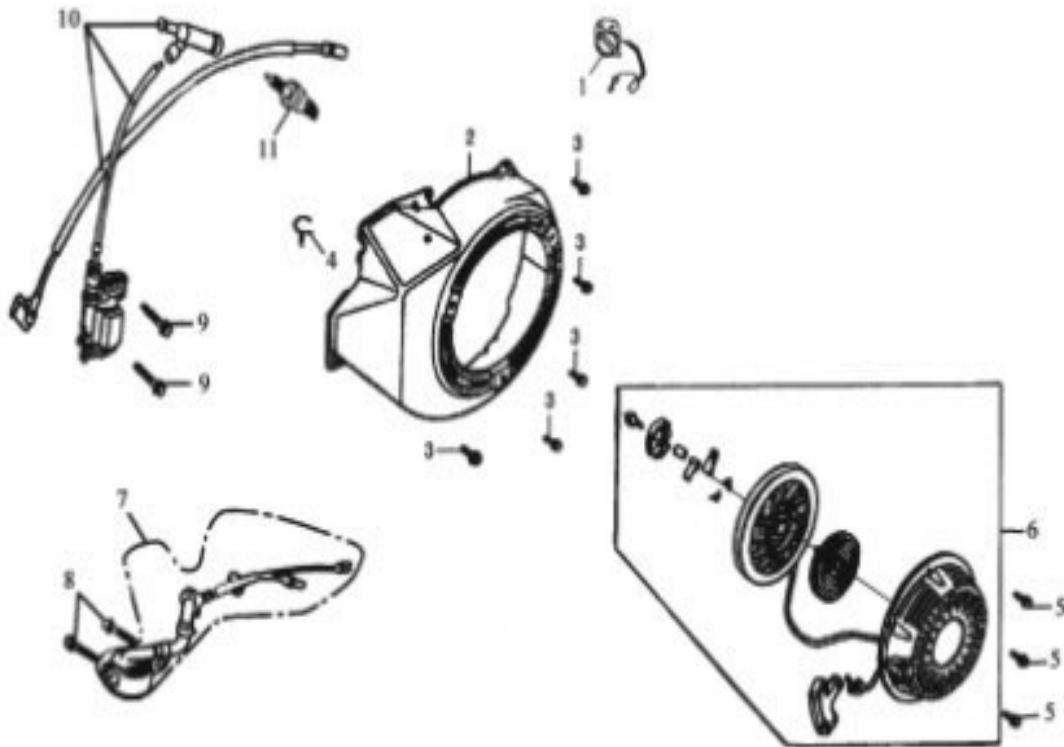


	CODE	DESCRIPTION	DESCRIPTION	QTY.	REMARK
1	3A3103100		Piston ring set	1	
2	3A3003002		Piston pin circlip	2	
3	3A3103003		piston	1	
4	3A3003004		Piston pin	1	
5	3A3003200		Connect rod assy	1	
6	3A30033001		Cranshaft assy	1	
	3A30033002				
	3A30033003				
7	3A3003400		Camshaft assy	1	
8	3A3003008		Flywheel	1	
9	3A3003009		Flywheel fan	1	
10	3A3003010		Starting flange	1	
11	3A3003011		Nut M16×1.25	1	

UP188(UP390)零部件配置表

4-

RECOIL STRATER & IGNTION COIL ASSY

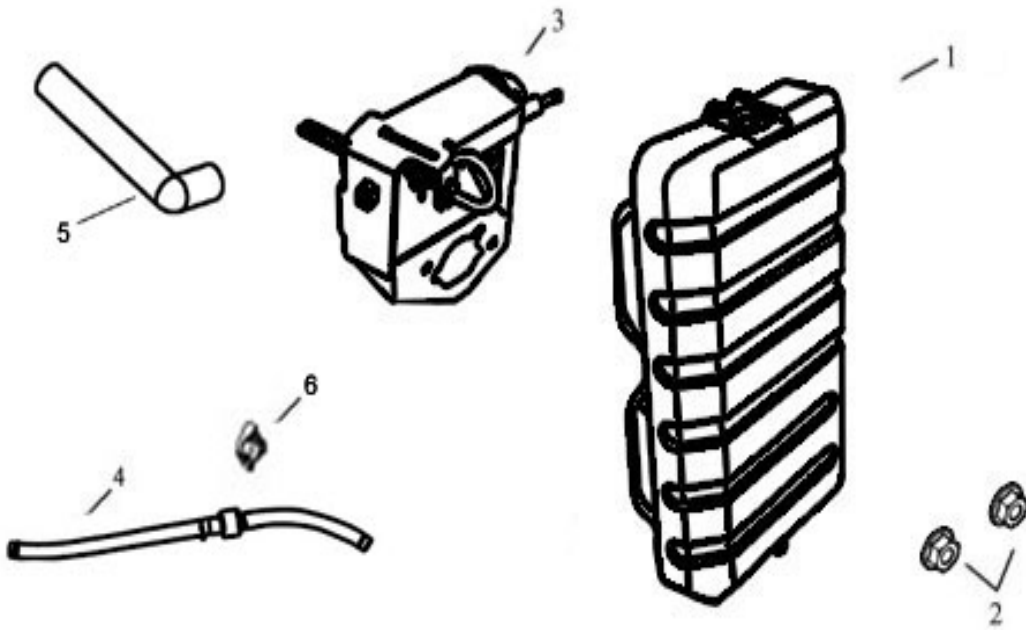


	CODE	DESCRIPTION	DESCRIPTION	QTY.	REMARK
1	3A2004001		Engine switch	1	
	3A2004014			1	
2	3A3004400A		Fan hood assy	1	
	3A3004400B				
	3A3004400C				
	3A3004400D				
3	3S22060121		Bolt M6×12	5	
4	3A3006021		Clip	2	
5	3S22060081		Bolt M6×8	4	
6	3A3004100A		Recoil starter assy	1	
	3A3004100B				
	3A3004100C				
	3A3004100P				
	3A3004100Q				
7	3A3004200		Oil sensor	1	
8	3S22060141		Bolt M6×14	2	
9	3S22060251		Bolt M6×25	2	
10	3A3004300		Ignition coil assy	1	
11	3A3004013		Spark plug F7RTC	1	
	3A3004013A				

UP188(UP390)零部件配置表

5-

AIR CLEANER ASSY

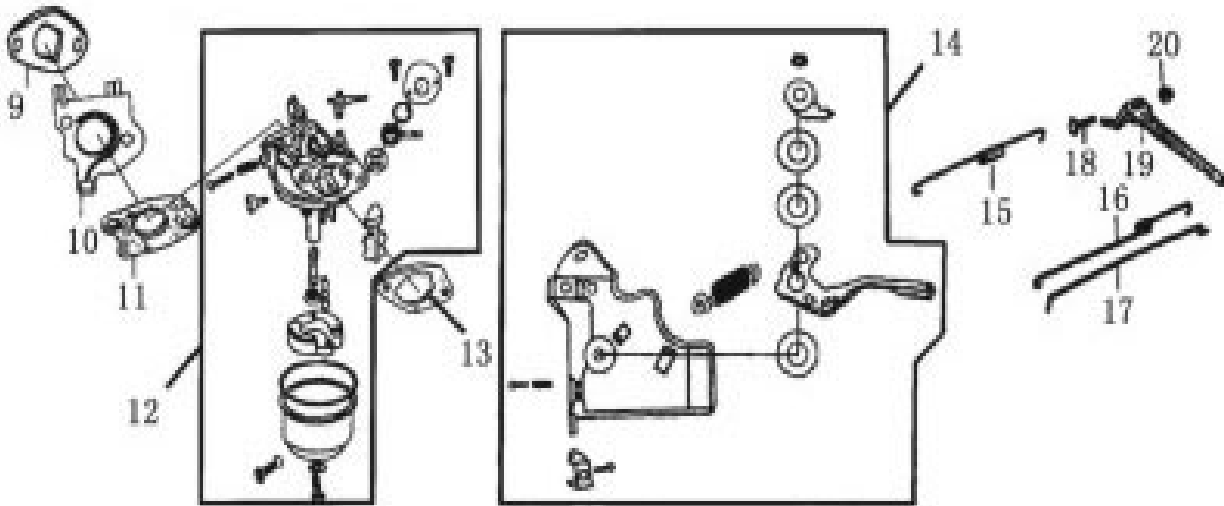


	CODE	DESCRIPTION	DESCRIPTION	QTY.	REMARK
1	3A3005100A		Air cleaner assy	1	
2	3S12061		Nut M6	2	
3	3A3006500			1	
4	3A3006600			1	
5	3A3005004A		Air duck	1	
6	3A3006022		Clip	1	

UP188(UP390)零部件配置表

6-

FUEL SUPPLY SYSTEM

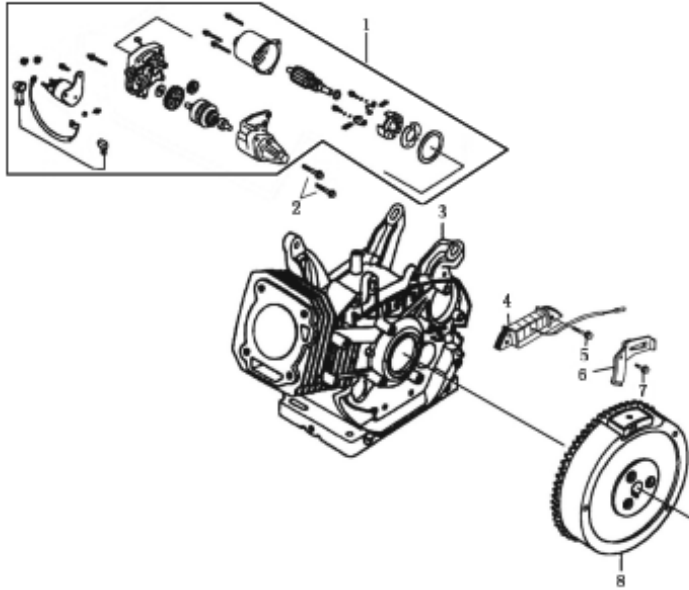


	CODE	DESCRIPTION	DESCRIPTION	QTY.	REMARK
9	3A3006010		Inlet gasket	1	
10	3A3006011A		Connecting block	1	
11	3A3006012		Carburetor gasket	1	
12	3A3106200A		Carburetor assy	1	
13	3A3006014		Gasket,air cleaner	1	
14	3A3006300A		Regulating control assy	1	
15	3A3006016		Back spring	1	
16	3A3006017		Regulating spring	1	
17	3A3006018		Pulling rod	1	
18	3A2006019		Lock bolt	1	
19	3A3006020		Regulating arm	1	
20	3S12061		Nut M6	1	

UP188(UP390)零部件配置表

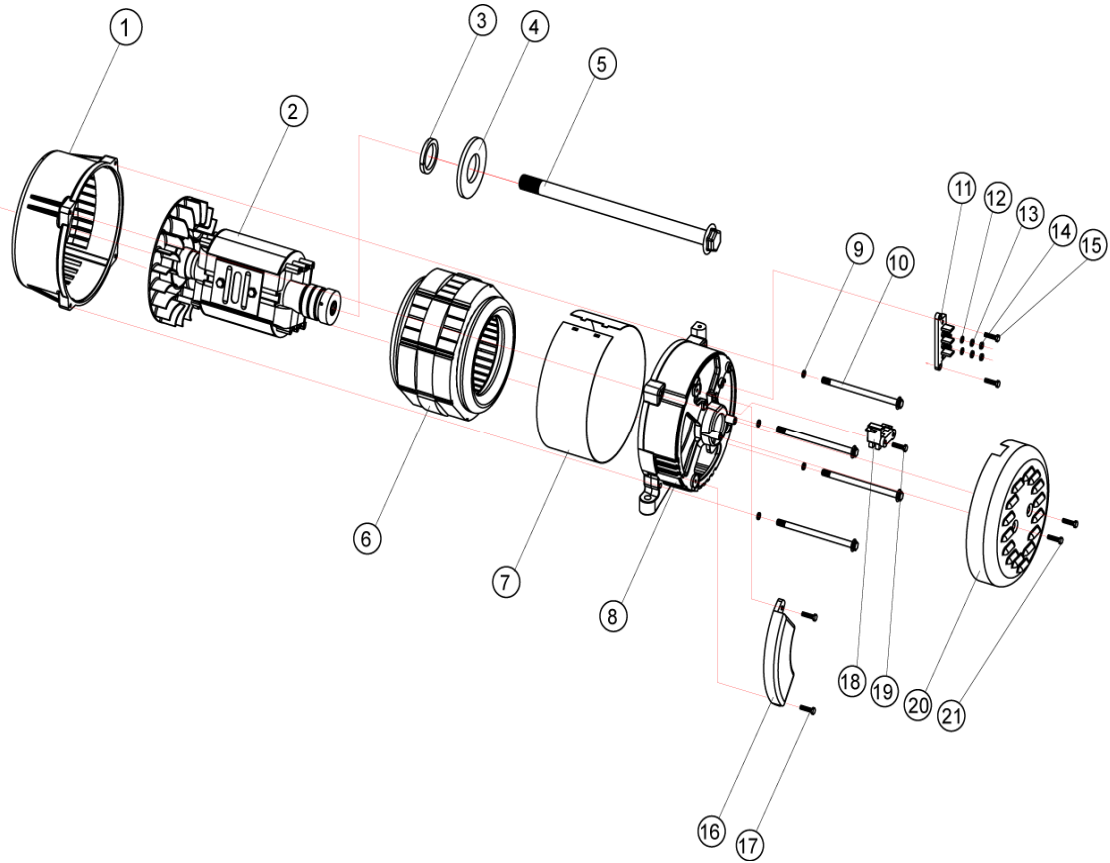
7-

STARTER & GENERATOR ASSEMBLY



	CODE	DESCRIPTION	DESCRIPTION	QTY.	REMARK
1	3A3007100		Starting motor assy	1	
2	3S22080351		Bolt M8×35	2	
3	3A3107008		Crankcase	1	
4	3A3007400		Relay	1	
5	3S22060352		Bolt M6×35	2	
6	3A3007011		Clamper, cord	1	
7	3S22060121		Bolt M6×12	2	
8	3A3007300		Flywheel	1	

3.2KW



	CODE	DESCRIPTION	DESCRIPTION	QTY.	REMARK
1	3C4101002				
	3C4101006		alternator front cover	1	φ 190
2	2B0321		rotor assy	1	
3	3S31102		spring washer φ10	1	
4	3S3610126		plain washer φ10*φ26	1	
5	3S22102202			1	
6	2A0321		stator assy	1	
7	3C42620085		protection board	1	
8	3C4102003		alternator end cover	1	φ 190
9	3S31061		spring washer φ6	4	
10	3S22061402		flange bolt M6*140	4	
11	3C61015		connection pole	1	
12	3S35051		plain washerφ5	2	
13	3S31051		spring washer φ5	2	
14	3S11051		nut M5	4	
15	3S22050121		flange bolt M5*12	2	
16	3C61012		AVR	1	
17	3S22050121		flange bolt M5*12	2	
18	3C61014		5kw carbon brush	1	
19	3S22050161		bolt M5*16	1	
20	3C4103002		rear cover	1	
21	3S22050121		flange bolt M5*12	2	